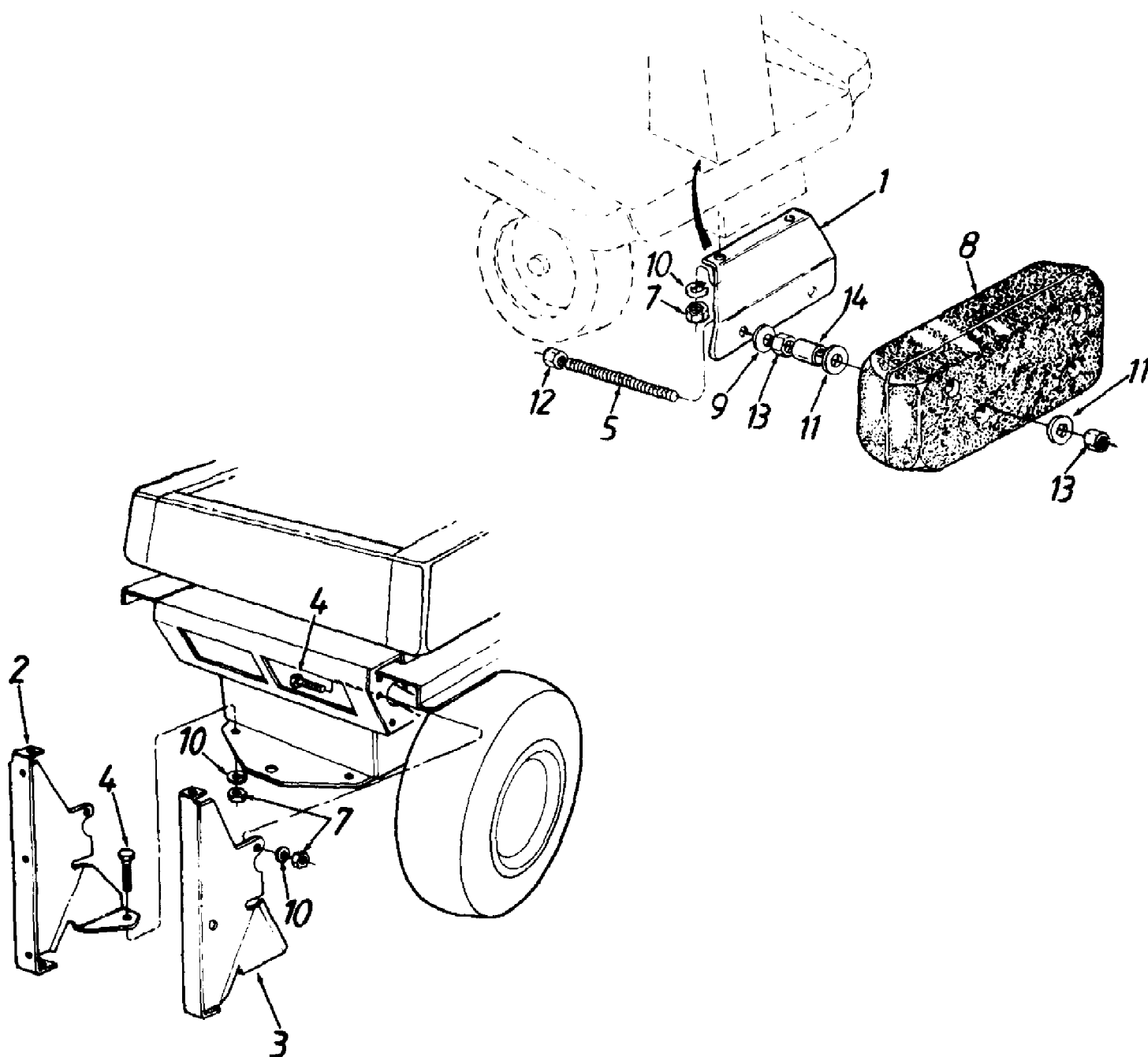


190-073-190 Twin Bag Grass Collector (1994)
Twin Bag Grass Collector

Page 2 of 4

Ref #	Part Number	Qty	S/P/F	Description
1	728-0123	1	S	Pop Rivet .188 Dia.
2	710-0281	1	/P	Hex Bolt 1/4-28 x .88"
3	712-0272	1	/P	Hex Sems Nut #10-24 Thd.
4	712-0138	1	S/F	Hex Nut 1/4-28 Thd.
5	736-0329	1	S/F	L-Wash. 1/4" I.D.
6	749-0701	1	S	Catcher Bag Frame
7	764-0221	1	S	Grass Catcher Bag
8	712-0287	1	S/F	Hex Nut 1/4-20 Thd.
10	736-0400	1	S	Flat Wash. 1/4" I.D.
15	16587B	1	S	Catcher Support Tube Mtg. Brkt.
16	16592	1	S	Catcher Support Tube Ass'y.
18	16593A	1	S	Catcher Latch and Support Brkt.
19	16611C	1	S	Grass Catcher Support Brkt.- R H.
20	16610C	1	S	Grass Catcher Support Brkt.- L.H.
21	710-0118	1	S/F	Hex Bolt 5/16-18 x .75"
22	710-0751	1	/P	Hex Bolt 1/4-20 x .62" Lg.- Grade 5
23	712-0267	1	S/F	Hex Nut 5/16-18 Thd.
24	712-0798	1	/P/F	Hex Nut 3/8-16 Thd.
25	736-0119	1	S/F	L-Wash. 5/16" I.D.
26	736-0169	1	S/F	L-Wash. 3/8" I.D.
27	738-0380	1	S	Shld. Bolt 3/8-16 x .50" Dia.
28	736-0253	1	S	Bell-Wash. .505" I.D. x 1.0" O.D.
31	16594A	1		Grass Catcher Cover Ass'y. (063)
	631-0007	1		Grass Catcher Cover Ass'y. (103)
32	726-0258	1		Twist Fastener
33	16847A	1		Screen Ass'y.
34	16596	1	S	Hinge Brkt. Ass'y.
35	710-0776A	1	S	Hex AB-Tap Scr. 1/4 x .62"
36	723-0412	1	/P	Seal - 7" (063)
	723-0413	1		Seal - 8" (103)
37	710-0351	1	/P	Truss B-Tap Scr. #10 x .5" Lg.
38	731-0824A	1	/P	Plastic Plate
39	726-0244	1	S	Speed Nut
47	710-0258	1	S/F	Hex Bolt 1/4-20 x .625"
49	712-0324	1	/P	Hex Ins. L-Nut 1/4-20 Thd.
50	723-0383	1	S	Retainer Strap Ass'y.
52	731-0899	1	S	Catcher Tube (063)
	731-0926	1	S	Catcher Tube (103)
53	731-0827A	1	S	Discharge Chute (063)
	731-0925	1	S	Discharge Chute (103)
54	736-0175	1	S	L-Wash. .27" I.D.
57	16606	1	S	Retainer Hook Brkt.
60	16591	1	S	Bag Frame Hanger Brkt.
61	710-0473	1	/P	Truss Mach. Scr. #10-24 x .5"



190-073-190 Twin Bag Grass Collector (1994)
Twin Bag Grass Collector Mounting Kit

Page 4 of 4

Ref #	Part Number	Qty	S/P/F	Description
1	15540	1		Counterweight Support Brkt.
2	15970A	1	/P	Catcher Support Brkt. - R.H.
3	15971A	1		Catcher Support Brkt. - L.H.
4	710-0376	4	/P	Hex Bolt 5/16-18 x 1.0" Lg.
5	711-3373	2		Stud 7/16-14 x 5-5/8" Lg.
7	712-0267	6	S/F	Hex Nut 5/16-18 Thd.
8	723-0367	1		Front Counterweight
9	736-0439	2		Bell-Wash. 7/16" I.D.
10	736-0119	6	S/F	L-Wash. 5/16" I.D.
11	736-0322	4	/P	FI-Wash. .45" I.D.
12	712-0290	2	/P	Hex L-Nut 7/16-14 Thd.
13	712-3019	4	S	Hex Nut 7/16-14 Thd.
14	750-0499	2	/P	Spacer